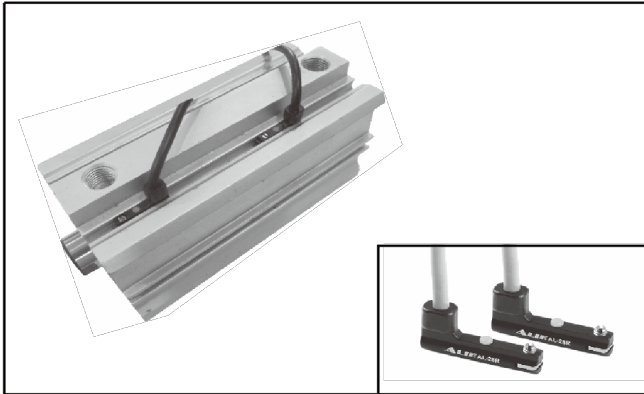
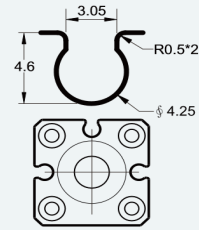


CC-28 SERIES



SPECIFICALLY FOR SHORT-STROKE CYLINDERS with a 4mm "C" SLOT ALUMINUM EXTRUSION



SPECIFICATION

TYPE	CC-28R	CC - 28RD	CC - 28DF	CC - 28N(P)	CC - 28S
CHARACTERISTIC					
SWITCHING LOGIC	SPST Normally Open	SPST Normally Open	Normally Open	Solid State Output, Normally Open	
SENSOR TYPE	Reed Switch	Reed Switch	2 Wire Solid State	NPN Current Sinking (PNP Current Sourcing)	NPN/PNP Automatic Detection
OPERATING VOLTAGE	5 ~ 120V DC/AC	5 ~ 30V DC	10 ~ 28V DC	5 ~ 30V DC	
SWITCHING CURRENT	0 ~ 100 mA	0 ~ 300 mA	1 ~ 50 mA	0 ~ 200 mA	0 ~ 100 mA
SWITCHING RATING	3.5 W Max.	3.5 W Max.	1.4 W Max.	6 W Max.	3.5 W Max.
CURRENT CONSUMPTION	—	10 mA Max. @ 24V	40 µA Max. @ 24V	7.5 mA Max. @ 24V	
VOLTAGE DROP	2.5V Max. @ 100mA DC	0.1V Max. @ 300mA DC	2.65V Max. @ 50mA DC	0.5 V Max. @ 200 mA DC	1 V Max. @ 200 mA DC
LEAKAGE CURRENT	—	—	90 µA Max. @ 28V	0.01 mA Max.	
INDICATOR	Red LED	Dual Yellow LED	Red LED	Red LED(Green LED)	Red LED
CABLE	Grey Oil Resistant PVC	Black Oil Resistant PVC	Black Oil-Resistant PVC	Black Oil-Resistant PVC	
SENSITIVITY	40 ~ 50 Gauss	40 ~ 50 Gauss	40 ~ 800 Gauss	40 ~ 800 Gauss	
SWITCHING FREQUENCY	1000 Hz	1000 Hz	1000 Hz	5000 Hz	
TEMPERATURE RANGE	-10 ~ 70 °C	-10 ~ 70 °C	-10 ~ 70 °C	-10 ~ 70 °C	
SHOCK	30 G	30 G	50 G	50 G	
VIBRATION	9 G	9 G	9 G	9 G	
ENCLOSURE CLASSIFICATION	IP 67 (EN60529)	IP 67 (EN60529)	IP 67 (EN60529)	IP 67 (EN60529)	
PROTECTION CIRCUIT	—		Surge Suppression	Power Reverse Polarity; Surge Suppression	
CE Certificate NO.	E8N 11 04 53334 005		No. E8N 1104 53334 004	No. E8N 1104 53334 006	—
3C Certificate NO.	No. : 2004010305127433		—	—	—
CNEx Certificate NO.	CNEx16.2333X(ExnCIICT6GC)		CNEx16. 1850 (ExiallBT6Ga)	CNEx16. 1851 (ExiallBT6Ga)	—
Connection Diagram					
<p>CC-28R CC-28R-QD8 CC-28R-QD12 CC-28R-EZ2M</p>	<p>CC-28S CC-28S-QD8 CC-28S-QD12 CC-28S-EZ3M</p>	<p>CC-28DF CC-28DF-QD8 CC-28DF-QD12 CC-28DF-EZ2M</p>	<p>CC-28N(P) CC-28N(P)-QD8 CC-28N(P)-QD12 CC-28N(P)-EZ3M</p>	<p>M8, M12, EZ QUICK CONNECTOR(IEC61076-2-101) 2 wire QD wiring M83M 4 (NC) Brown(+), 1 3 Blue(-) M124M 2 (NC) Blue(-), 3 1 Brown(+), 4 (NC) EZ2M Blue(-), 2 1 Brown(+)</p> <p>3 wire QD wiring M83M 4 Black(OUT) Brown(+), 1 3 Blue(-) M124M 2 (NC) Blue(-), 3 1 Brown(+), 4 Black(OUT) EZ3M 2 Black(OUT) Blue(-), 3 1 Brown(+)</p>	

NOTE: The max operating voltage of AL-28R-QD8 is 60V DC (Based on IEC61076-2-101).



Phone:

+1-484-753-2655

Email:

info@cersellcompany.com